

Lot 711 | Aries Vista



TERRACE

GRANGE

Price From \$396,870**

Bed 3 Bath 2

Frontage 6m SQM 165sqm

Features

- Open plan living to dining and living area
- Master suite with walk in robe and ensuite
- Separate study nook

COLLECTIVE TOWNHOMES

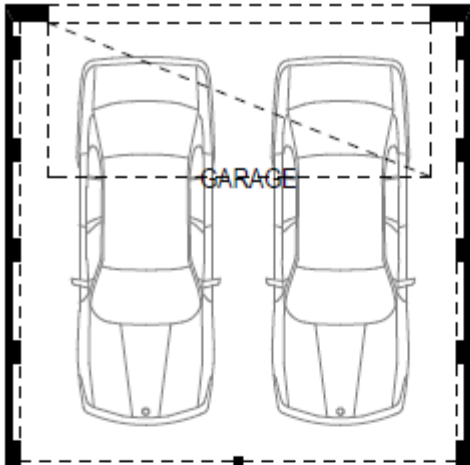


Contact Fran Wallis from Iluma on 0409 220 787 or Roger Stoch from Terrace on 0450 226 189.

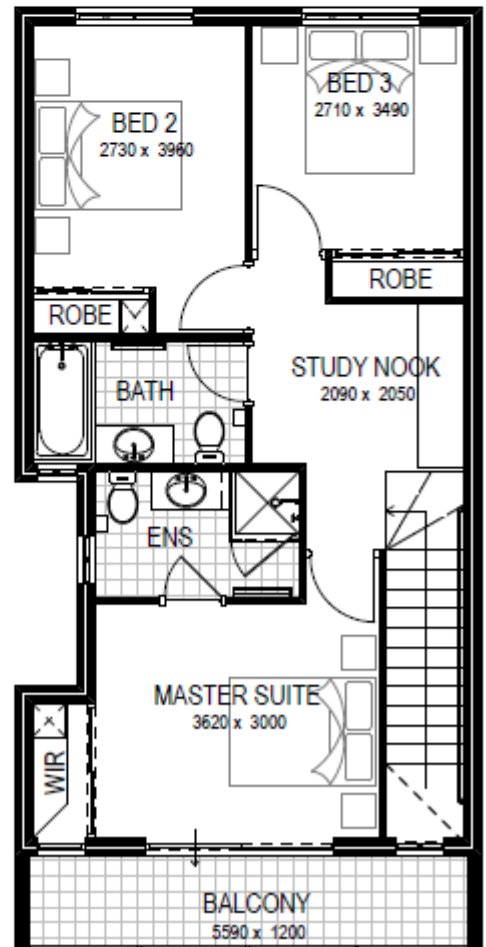
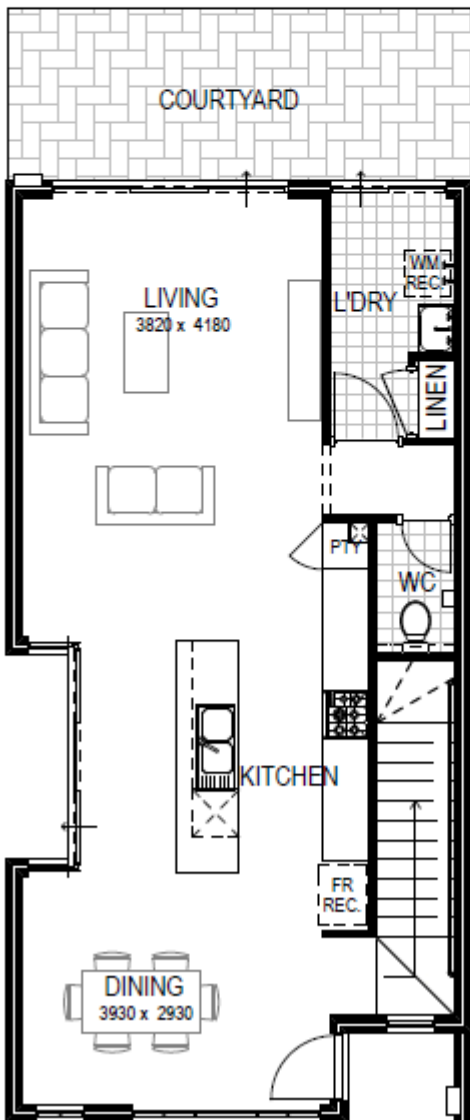
* Illustrations and artists' impressions/perspective of buildings, interiors and views in this flyer are indicative only and subject to change without notice.

** Prices are correct at time of printing and are subject to change (including increase) without notice. Above package includes the land price, base home price and a site works allowance only. All sitework figures are indicative only, and may be subject to change (including increase) following a formal survey of the lot by the purchasers' chosen builder – all costs related to the survey of the lot are the responsibility of the purchaser.

Produced September 2018. This flyer contains information only and does not constitute an offer capable of acceptance by a prospective purchaser. Mirvac Real Estate Pty Ltd. Mirvac (WA) Pty Ltd.



TERRACE





MIRVAC RESIDENTIAL HOUSE AND LAND PACKAGES TERMS AND CONDITIONS

1. Mirvac Residential Website Terms of Use

These Terms and Conditions are in addition to the conditions of use of the Mirvac Residential websites with the URL address www.iluma.mirvac.com (**Website**)

2. House and Land Packages

House and land packages displayed on this Website (**House and Land Package**) consist of land and a house which are sold separately. A purchaser wishing to purchase a House and Land Package will need to enter into a contract for the sale of land with Mirvac (WA) Pty Ltd (**Mirvac**) (**Land Contract**) and a separate contract with the builder (**Builder**) for construction of the house (**Building Contract**).

3. Builders

The Builders are not related entities to Mirvac in any way. Mirvac has no responsibility or liability whatsoever in relation to the actions of or products offered by the Builders. Purchasers must make their own enquiries with the Builder and obtain independent advice before entering into a Building Contract with the Builder.

Mirvac will not be bound by any arrangements a purchaser makes with the Builder. Mirvac makes no representations and gives no warranties as to the Builder's ability to perform the Building Contract. Further, Mirvac will not be liable for delays in construction, any representations made by the Builder or any loss or damage to the purchaser arising from the Building Contract.

Any offers by the Builder whether they be cash, bonuses or extras are the sole responsibility of the Builder and Mirvac is not liable in any way to provide or make good on those offers.

Promotional offers, incentives, bonuses, concessions or any other Builder "extras", whether in cash or in kind, are offered by the Builder alone and Mirvac accepts no liability or responsibility with regard to these. Such offers do not form part of any offer or Land Contract entered into by Mirvac with the purchaser.

4. Price

The advertised price of a House and Land Package shown on the Website is indicative only and is subject to change without notice.

The price for the construction of the house component of a House and Land Package is based on specifications provided by the Builder. Unless stated expressly to the contrary on the Website, there may be exclusions such as fencing, landscaping or particular finishes. Variations to the specifications or the Building Contract could also vary the price. Decisions made by the Local, State or Federal Governments may also cause price changes. Purchasers should make appropriate enquiries with the Builder.

The prices shown on this Website do not include duty on a Land Contract, registration fees (including registration fees in relation to the transfer of the land) or any other fees or charges (including legal or settlement agent fees or the costs of other services) incidental to the acquisition of the land. Purchasers will need to pay these fees and charges separately.

The price may include rebates that are conditional on the purchaser meeting requirements specified in the Land Contract. For details please speak to a Mirvac Sales Representative.

5. Alterations

Alterations may be required to the advertised house to ensure it complies with any building covenants applying to the land, including alterations to. Colours shown on elevations, design features and minor changes. Purchasers are responsible for satisfying themselves as to the compatibility of the house with all applicable building covenants.

Purchasers should note that details of plans and facades proposed by the Builder for the house component very rarely exactly meet Mirvac's building covenants. Purchasers acknowledge and agree that in order to comply with any building covenants Mirvac may therefore require purchasers to make minor changes to their individual designs including changes to colours or minor features.

6. Images, Descriptions and Features

Images (including photographs, illustrations & other images) used on the Website and in advertisements are intended to be a visual aid only and may show features or inclusions which are not available for all houses or House & Land Packages.

Mirvac gives no warranty and makes no representation as to the accuracy or sufficiency of any image, description, illustration, photograph or statement contained on this Website or in any advertisement and will not be liable for any loss or damage suffered or incurred by a purchaser or any other person who relies upon the information on this Website or in any advertisement except for any liability which cannot be excluded by statute.

7. General

Mirvac may make changes to these terms and conditions at any time without notice. Such changes may include adding or withdrawing a House and Land Package.

These terms and conditions supersede any prior terms and conditions relating to a House and Land Package.

Purchasers must rely on their own enquiries in relation to the Land Contract and the Building Contract relevant to the particular House and Land Package.